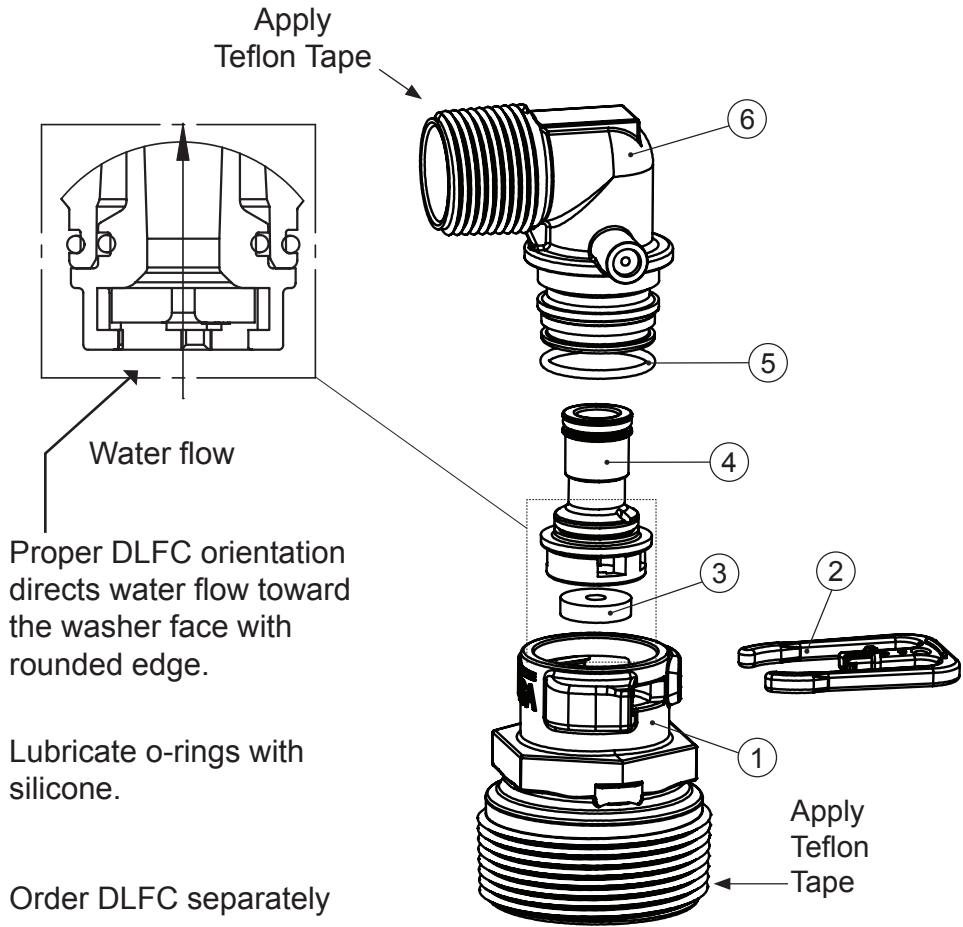


Order No. V3158-04

Description: WS2 Drain Elbow 3/4" Male NPT without Silencer

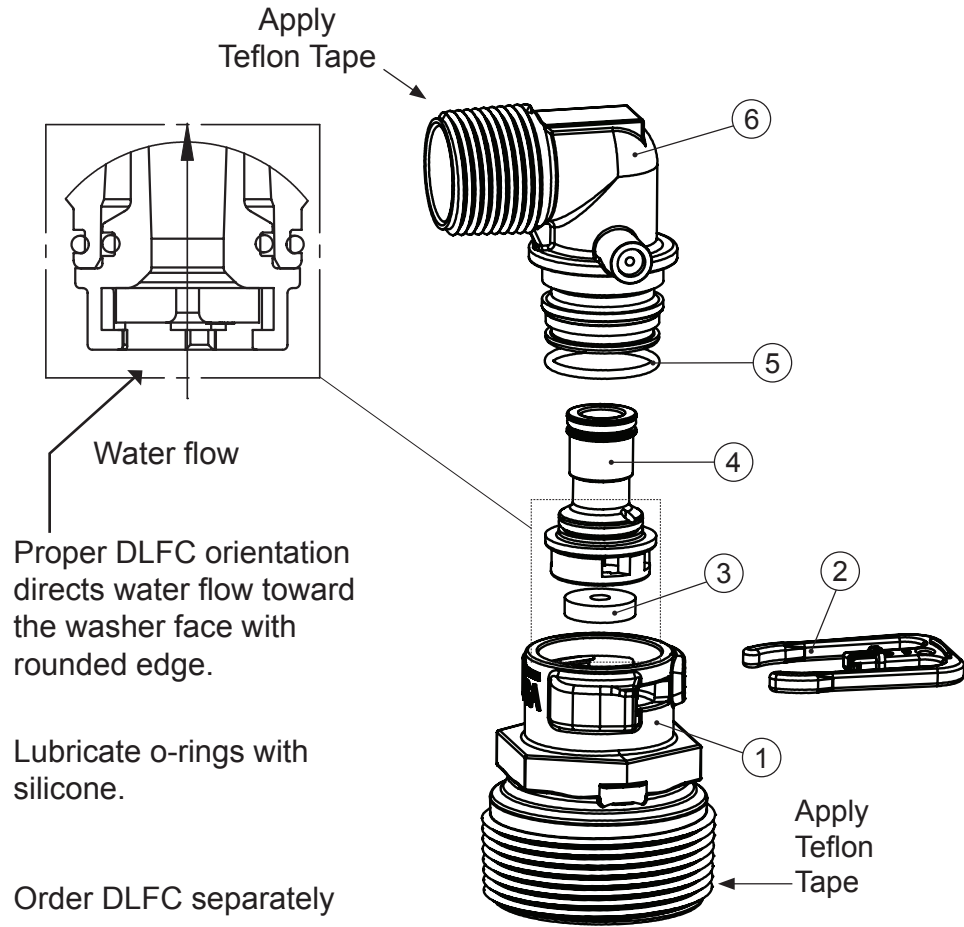
HYDROCARBONS SUCH AS VASELINE®, PETROLEUM JELLY, KEROSENE, BENZENE, GASOLINE, ETC., WILL DAMAGE PRODUCTS THAT CONTAIN O-RINGS OR PLASTIC COMPONENTS. EXPOSURE TO SUCH HYDROCARBONS MAY CAUSE THE PRODUCTS TO LEAK. DO NOT USE CLACK CONTROL VALVE PRODUCT(S) ON WATER SUPPLIES THAT CONTAIN HYDROCARBONS SUCH AS KEROSENE, BENZENE, GASOLINE, ETC.



Order No. V3158-04

Description: WS2 Drain Elbow 3/4" Male NPT without Silencer

HYDROCARBONS SUCH AS VASELINE®, PETROLEUM JELLY, KEROSENE, BENZENE, GASOLINE, ETC., WILL DAMAGE PRODUCTS THAT CONTAIN O-RINGS OR PLASTIC COMPONENTS. EXPOSURE TO SUCH HYDROCARBONS MAY CAUSE THE PRODUCTS TO LEAK. DO NOT USE CLACK CONTROL VALVE PRODUCT(S) ON WATER SUPPLIES THAT CONTAIN HYDROCARBONS SUCH AS KEROSENE, BENZENE, GASOLINE, ETC.



Order No. V3158-04

Description: WS2 Drain Elbow 3/4" Male NPT without Silencer

DRAWING NUMBER	ORDER NUMBER	DESCRIPTION	QTY
1	V3983	WS2 DLFC ADAPTER	1
2	H4615	CLIP RETAINING 474/WS1	1
3	V3162-007	WS1 DLFC 0.7 gpm for 3/4	ONE DLFC MUST BE USED IF 3/4" FITTING IS USED.
	V3162-010	WS1 DLFC 1.0 gpm for 3/4	
	V3162-013	WS1 DLFC 1.3 gpm for 3/4	
	V3162-017	WS1 DLFC 1.7 gpm for 3/4	
	V3162-022	WS1 DLFC 2.2 gpm for 3/4	
	V3162-027	WS1 DLFC 2.7 gpm for 3/4	
	V3162-032	WS1 DLFC 3.2 gpm for 3/4	
	V3162-042	WS1 DLFC 4.2 gpm for 3/4	
	V3162-053	WS1 DLFC 5.3 gpm for 3/4	
	V3162-065	WS1 DLFC 6.5 gpm for 3/4	
	V3162-075	WS1 DLFC 7.5 gpm for 3/4	
V3162-090	WS1 DLFC 9.0 gpm for 3/4		
V3162-100	WS1 DLFC 10 gpm for 3/4		
4	V3159-01	WS1 DLFC RETAINER ASY	1
5	V3163	O-RING 019	1
6	V3158-03	WS1 DRN ELBOW 3/4 MALE NO HOLE	1

This assembly is shipped without drain line flow control (DLFC) – install DLFC before using. Use a minimum drain line size of 3/4".

Order No. V3158-04

Description: WS2 Drain Elbow 3/4" Male NPT without Silencer

DRAWING NUMBER	ORDER NUMBER	DESCRIPTION	QTY
1	V3983	WS2 DLFC ADAPTER	1
2	H4615	CLIP RETAINING 474/WS1	1
3	V3162-007	WS1 DLFC 0.7 gpm for 3/4	ONE DLFC MUST BE USED IF 3/4" FITTING IS USED.
	V3162-010	WS1 DLFC 1.0 gpm for 3/4	
	V3162-013	WS1 DLFC 1.3 gpm for 3/4	
	V3162-017	WS1 DLFC 1.7 gpm for 3/4	
	V3162-022	WS1 DLFC 2.2 gpm for 3/4	
	V3162-027	WS1 DLFC 2.7 gpm for 3/4	
	V3162-032	WS1 DLFC 3.2 gpm for 3/4	
	V3162-042	WS1 DLFC 4.2 gpm for 3/4	
	V3162-053	WS1 DLFC 5.3 gpm for 3/4	
	V3162-065	WS1 DLFC 6.5 gpm for 3/4	
	V3162-075	WS1 DLFC 7.5 gpm for 3/4	
V3162-090	WS1 DLFC 9.0 gpm for 3/4		
V3162-100	WS1 DLFC 10 gpm for 3/4		
4	V3159-01	WS1 DLFC RETAINER ASY	1
5	V3163	O-RING 019	1
6	V3158-03	WS1 DRN ELBOW 3/4 MALE NO HOLE	1

This assembly is shipped without drain line flow control (DLFC) – install DLFC before using. Use a minimum drain line size of 3/4".